

Important Information about the Ethernet Routing Switch 8600 Enterprise enhanced CPU daughter card

The Ethernet Routing Switch 8692SF Enterprise enhanced CPU daughter card (Supermezz) is a mezzanine daughter card for the 8692SF module. The daughter card consists of dual 1 GHz Power PC processors. Installing the daughter card to an 8692SF module offloads processor-intensive tasks from the 333 MHz processor located on the 8692SF CPU motherboard.

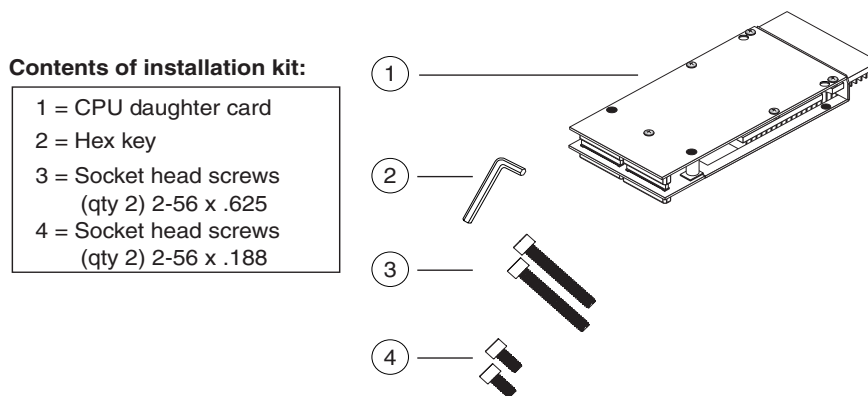
With Ethernet Routing Switch 8600 Series Release 4.1, the daughter card provides decreased convergence times for large forwarding tables as well as a better scaling and performance number.



Note: If you choose the 8692SF CPU daughter card option and have a system with two Ethernet Routing Switch 8692SF modules, you must install the daughter card on each of the 8692SF modules.

The daughter card installation kit includes a CPU daughter card and associated installation hardware, as shown in [Figure 1](#).

Figure 1 Daughter card installation kit



See *Installing Ethernet Routing Switch 8600 Modules* for instructions on installing the Enterprise enhanced CPU daughter card in the 8692SF module. You can access the above document directly from the Internet at www.nortel.com.



Note: I/O and CPU modules are static-case sensitive products. To prevent physical damage to a module, observe the following precautions:

- Use a wrist strap to connect to earth ground when handling a module.
 - Place modules on conductive surfaces or in a chassis connected to earth ground.
 - Transport modules in their original packaging.
-

For information on the Ethernet Routing Switch 8600 product, perform the following:

1 Select **Support and Training > Technical Support**.

In the Technical Support page, ensure the **Browse product support** tab is selected.

2 In Step **1 Select from**, select **Product Categories** from the drop-down menu.

3 Select **Ethernet Routing Switches** from the **Routers and Routing Switches** section.

4 In Step **2 ... choose a product**, select **Ethernet Routing Switch 8600**.

5 In Step **3 ... and get the content**, select **Documentation**.

6 Click **Go**.